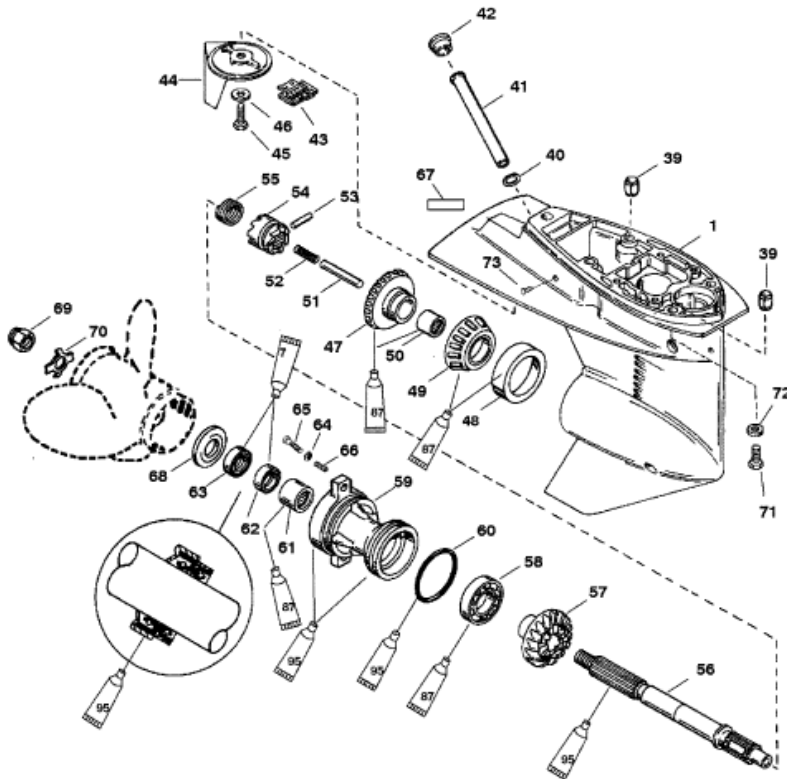


**3.44 IN./87.37MM
 TORPEDO DIA.**



- Loctite "271" Adhesive Sealant (92-809819)
- Super Duty Gear Lubricant (92-13783A24)
- 2-4-C w/Teflon (92-825407A12)

Parts List						
Ref	Class	Part	Description	Qty	Comment	Footnote
-	1682	821306T24	GEAR HOUSING	1	(1.83:1 GEAR RATIO) (BLACK)	
-	1682	821306T25	GEAR HOUSING	1	(1.83:1 GEAR RATIO) (GRAY)	
1	1682	821306T12	GEAR HOUSING	1	(BASIC) (BLACK)	
1	1682	821306T13	GEAR HOUSING	1	(BASIC) (BLACK)	
39	17	821327	DOWEL PIN	2		
40	27	823942	GASKET WATER TUBE	1		
41	32	821828	TUBE	1		
42	19	824928	PLUG-RUBBER	1		
43		821829	SCREEN-WATER INLET	1		
44		822157T 2	TRIM TAB	1		
45	10	824970 20	SCREW (M8 X 20)	1		
46	12	72397	WASHER	1		
47	43	822162T 2	FORWARD GEAR (22 TEETH)	1	(1.83:1 GEAR RATIO)	
48	31	99328A 1	ROLLER BEARING ASSY.	1		
49		NSS	CUP	1		
50	31	41326	ROLLER BEARING	1		
51		821578	FOLLOWER-CAM	1		
52	24	826199 1	SPRING	1		
53	17	85093	PIN-CROSS	1		
54	52	821314T	CLUTCH	1		
55	24	38114	SPRING	1		
56	44	821577 2	PROPELLER SHAFT	1		
57	43	822163T 1	REVERSE GEAR (22 TEETH)	1	(1.83:1 GEAR RATIO)	
58	30	20839	BALL BEARING	1		
59		19291A 3	BEARING CARRIER	1		
60	25	815460	O RING	1		15
61	31	21700	NEEDLE BEARING	1		
62	26	69188	OIL SEAL	1		15
63	26	69189	OIL SEAL	1		15
64	12	855941	WASHER	2		
65	10	855940 30	SCREW (M8 X 30)	2		
66		822773 1	THREADED INSERT	2		
67		NSS	DECAL-GEAR CASE GEAR RAT	1		
68		73345A 1	THRUST HUB	1		
69	11	69578A 1	PROP NUT	1		
70	14	76281	TAB WASHER	1		
71	10	40003 80	SCREW	4		
72	12	856774	WASHER	4		
73	19	95925	PLUG	1		
-		823547A 2	SEAL KIT	1		